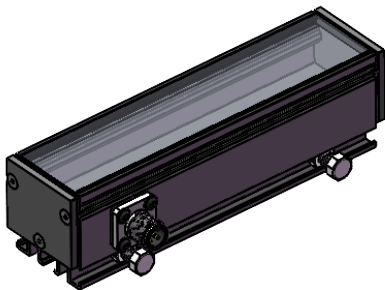
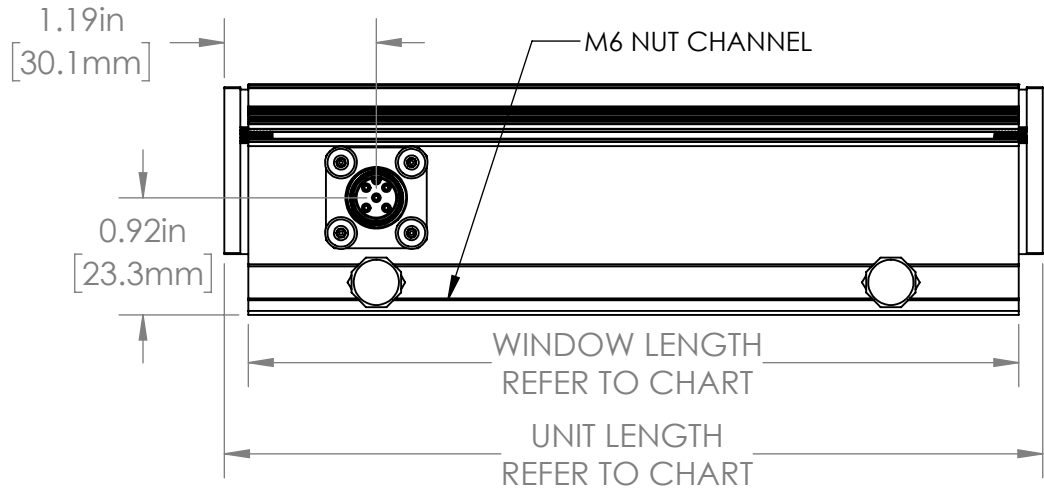
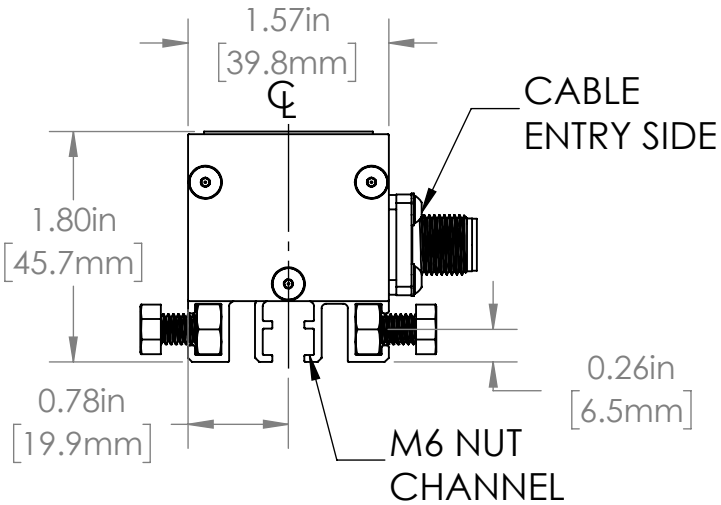
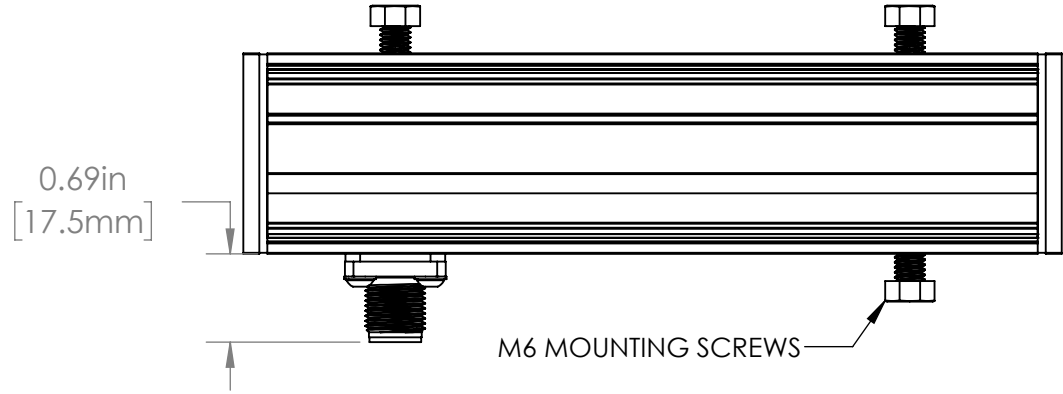


AL325 (SEALED) SIZING CHART

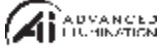
PART #	UNIT LENGTH	WINDOW LENGTH
AL325-0150	6.39in (162.4mm)	6.02in (152.9mm)
AL325-0300	12.41in (315.3mm)	12.04in (305.8mm)
AL325-0450	18.43in (468.2mm)	18.06in (458.7mm)
AL325-0600	24.45in (621.1mm)	24.08in (611.6mm)
AL325-0750	30.47in (774.0mm)	30.10in (764.5mm)
AL325-0900	36.49in (926.9mm)	36.12in (917.4mm)
AL325-1050	42.51in (1079.9mm)	42.14in (1070.4mm)
AL325-1200	48.53in (1232.8mm)	48.16in (1223.3mm)
AL325-1350	54.55in (1385.7mm)	54.18in (1376.2mm)
AL325-1500	60.57in (1538.6mm)	60.20in (1529.1mm)
AL325-1650	66.59in (1691.5mm)	66.22in (1682.0mm)
AL325-1800	72.61in (1844.4mm)	72.24in (1834.9mm)

REVISIONS			
REV.	DESCRIPTION	DATE	DCN NO
-	FOR QUOTING PURPOSES ONLY		



FOR REFERENCE ONLY

300mm UNIT WEIGHT: 1.16 lbs

CUT USING: -		UNLESS OTHERWISE SPECIFIED: FOR QUOTING PURPOSES ONLY.		DATE	NAME	 440 STATE GARAGE ROAD, ROCHESTER, VERMONT 05767
		DIMENSIONS ARE FOR REFERENCE ONLY.		DRAWN 25-JUL-24	T.MILLS	
		TOLERANCES ONLY GUARANTEED WHERE SPECIFIED.		CHECKED --	--	TITLE: DWG, ASSY, TL, BAR LIGHT, NOVA, AL325-XXX (SEALED)
				APPROVED --	--	
				MATERIAL AS NOTED ON INDIVIDUAL DWGS		SIZE DWG. NO. REV A 099450 -
NEXT ASSY	USED ON			FINISH		
APPLICATION		MAKE FROM		AS NOTED ON INDIVIDUAL DWGS		SCALE: NTS C CODE: 1250 SHEET 1 OF 1