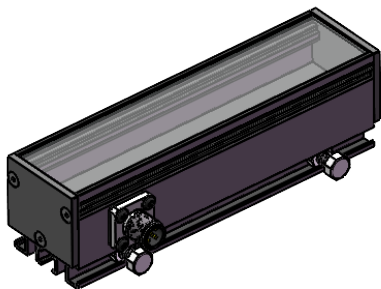
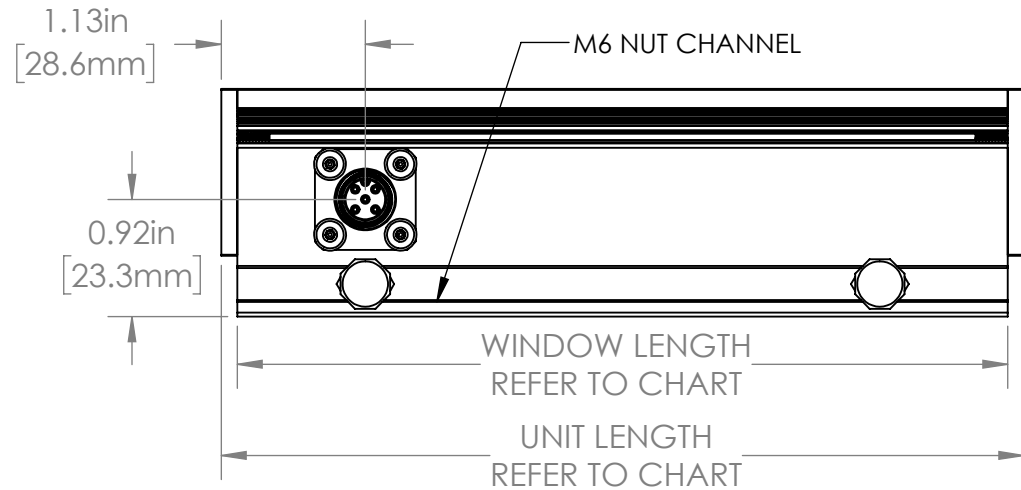
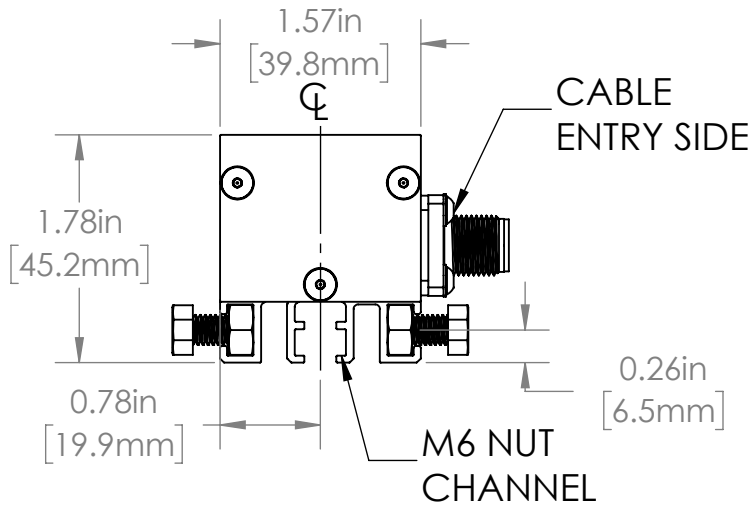
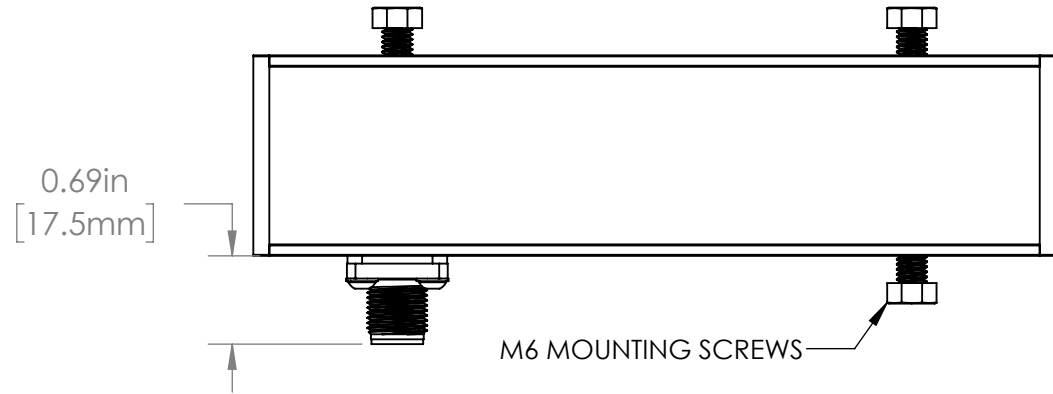


AL325 SIZING CHART

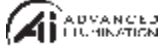
PART #	UNIT LENGTH	WINDOW LENGTH
AL325-0150	6.27in (159.3mm)	6.02in (152.9mm)
AL325-0300	12.29in (312.2mm)	12.04in (305.8mm)
AL325-0450	18.31in (465.1mm)	18.06in (458.7mm)
AL325-0600	24.33in (618.0mm)	24.08in (611.6mm)
AL325-0750	30.35in (770.9mm)	30.10in (764.5mm)
AL325-0900	36.37in (923.8mm)	36.12in (917.4mm)
AL325-1050	42.39in (1076.7mm)	42.14in (1070.4mm)
AL325-1200	48.41in (1229.6mm)	48.16in (1223.3mm)
AL325-1350	54.43in (1382.5mm)	54.18in (1376.2mm)
AL325-1500	60.45in (1535.4mm)	60.20in (1529.1mm)
AL325-1650	66.47in (1688.3mm)	66.22in (1682.0mm)
AL325-1800	72.49in (1841.2mm)	72.24in (1834.9mm)

REVISIONS			
REV.	DESCRIPTION	DATE	DCN NO
-	FOR QUOTING PURPOSES ONLY		



FOR REFERENCE ONLY

300mm UNIT WEIGHT: 1.16 lbs

CUT USING: -		UNLESS OTHERWISE SPECIFIED: FOR QUOTING PURPOSES ONLY.		DATE	NAME	 440 STATE GARAGE ROAD, ROCHESTER, VERMONT 05767
		DRAWN	25-JUL-24	T.MILLS	TITLE:	
		CHECKED	--	--	DWG. ASSY, TL, BAR LIGHT, NOVA, AL325-XXX	SIZE DWG. NO. REV A 099450 -
		APPROVED	--	--	MATERIAL AS NOTED ON INDIVIDUAL DWGS	
		DIMENSIONS ARE FOR REFERENCE ONLY.		FINISH		SCALE: NTS C CODE: 1250 SHEET 1 OF 1
		TOLERANCES ONLY GUARANTEED WHERE SPECIFIED.		AS NOTED ON INDIVIDUAL DWGS		
NEXT ASSY	USED ON	MAKE FROM				
APPLICATION						