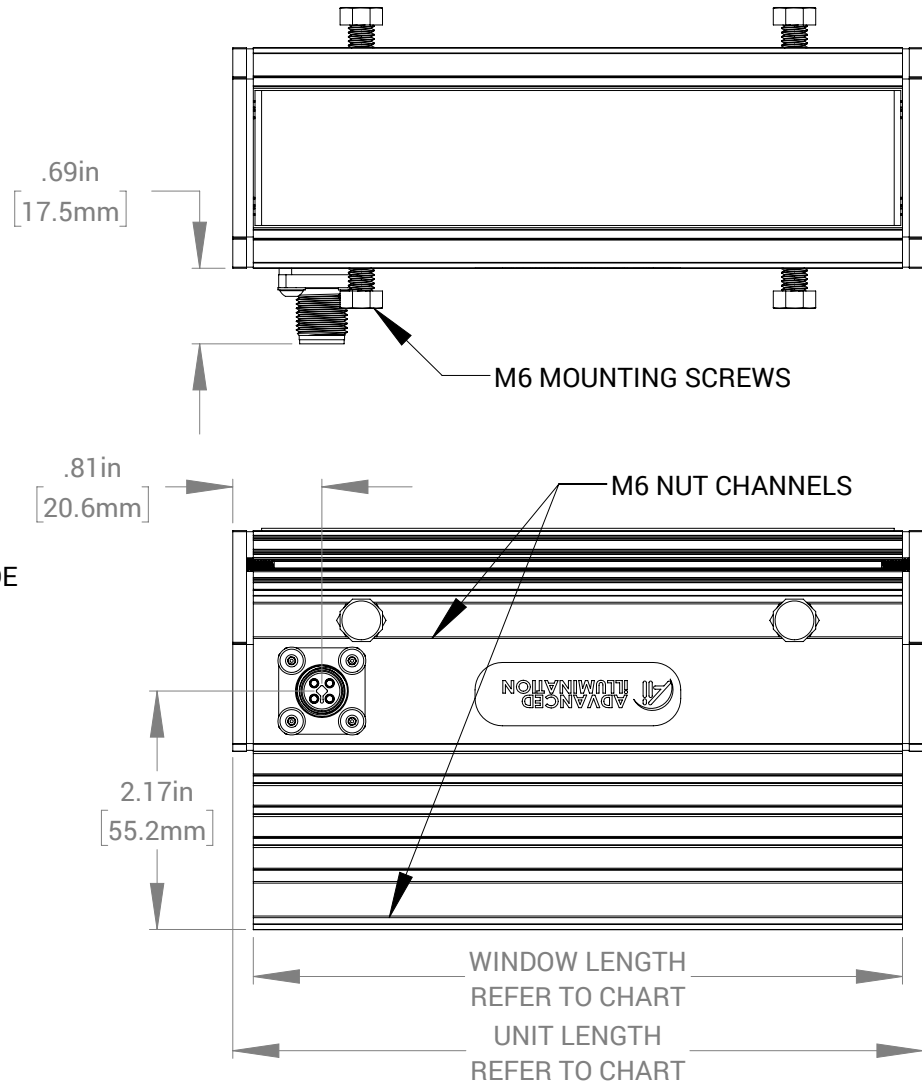
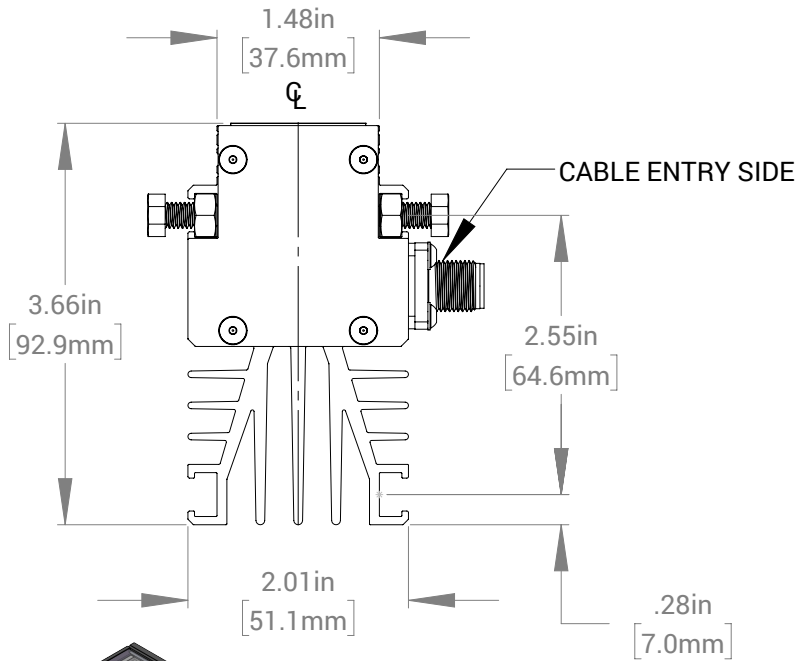


# LL330 SIZING CHART

PART #	UNIT LENGTH	WINDOW LENGTH
LL330X-0150	6.29in (159.8mm)	5.92in (150.3mm)
LL330X-0300	12.20in (309.8mm)	11.82in (300.3mm)
LL330X-0450	18.10in (459.8mm)	17.73in (450.3mm)
LL330X-0600	24.01in (609.8mm)	23.63in (600.3mm)
LL330X-0750	29.91in (759.8mm)	29.54in (750.3mm)
LL330X-0900	35.82in (909.8mm)	35.44in (900.3mm)
LL330X-1050	41.72in (1059.8mm)	41.35in (1050.3mm)

X REFERS TO LENS TYPE: D,G

REVISIONS			
REV.	DESCRIPTION	DATE	DCN NO
-	FOR QUOTING PURPOSES ONLY		



FOR REFERENCE ONLY

CUT USING: -		UNLESS OTHERWISE SPECIFIED: FOR QUOTING PURPOSES ONLY. DIMENSIONS ARE FOR REFERENCE ONLY. TOLERANCES ONLY GUARANTEED WHERE SPECIFIED. MAKE FROM -	DATE	NAME	440 STATE GARAGE ROAD, ROCHESTER, VERMONT 05767 TITLE: DRAWING, INSTALLATION, LL330 SIZE DWG. NO. REV <b>A</b> LL330 - SCALE: NTS C CODE: - SHEET 1 OF 1
	DRAWN		19-MAR-24	SAN	
	CHECKED		--	--	
	APPROVED		--	--	
	MATERIAL				
NEXT ASSY	USED ON	FINISH			
APPLICATION					