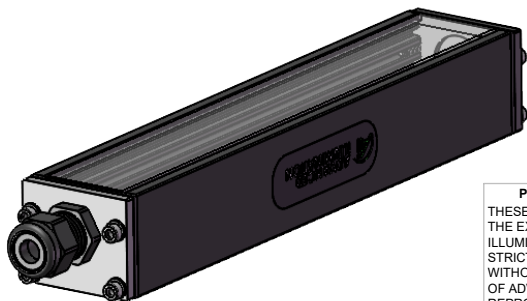
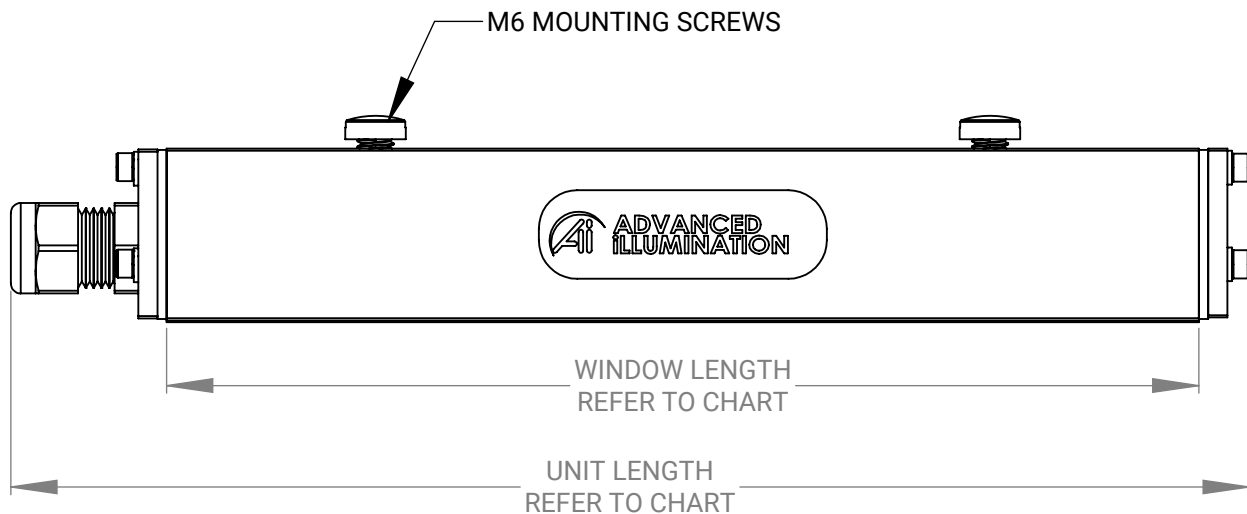
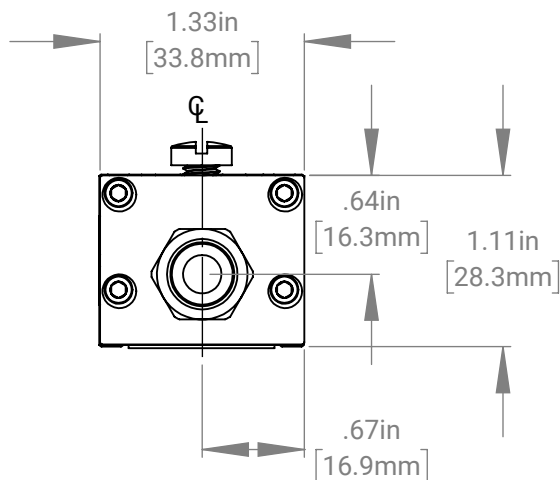
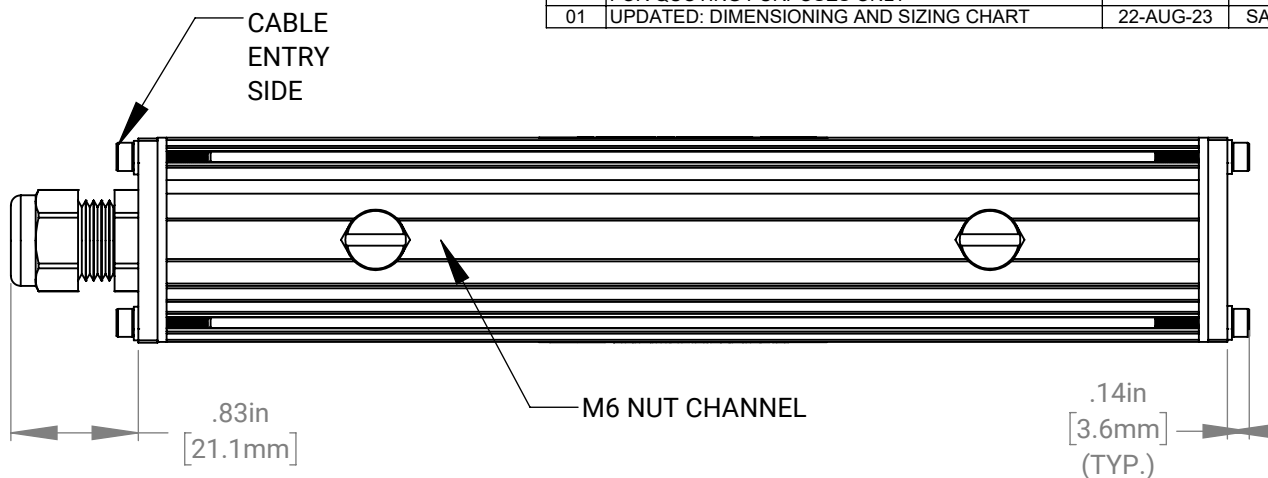


LL174 (SEALED) SIZING CHART

PART #	UNIT LENGTH	WINDOW LENGTH
LL17406	8.06in (204.7mm)	6.72in (170.7mm)
LL17412	14.06in (357.1mm)	12.72in (323.1mm)
LL17418	20.06in (509.5mm)	18.72in (475.5mm)
LL17424	26.06in (661.9mm)	24.72in (627.9mm)
LL17430	32.06in (814.3mm)	30.72in (780.3mm)
LL17436	38.06in (966.7mm)	36.72in (932.7mm)
LL17442	44.06in (1119.1mm)	42.72in (1085.1mm)
LL17448	50.06in (1271.5mm)	48.72in (1237.5mm)

REVISIONS			
REV.	DESCRIPTION	DATE	DCN NO
-	FOR QUOTING PURPOSES ONLY		
01	UPDATED: DIMENSIONING AND SIZING CHART	22-AUG-23	SAN



FOR REFERENCE ONLY

PROPRIETARY AND CONFIDENTIAL
 THESE DRAWINGS AND SPECIFICATIONS ARE THE EXCLUSIVE PROPERTIES OF ADVANCED ILLUMINATION INCORPORATED ISSUED IN STRICT CONFIDENCE AND SHALL NOT, WITHOUT THE PRIOR WRITTEN PERMISSION OF ADVANCED ILLUMINATION INC BE REPRODUCED, COPIED OR USED FOR ANY PURPOSE WHATSOEVER EXCEPT THE MANUFACTURE OF ARTICLES FOR ADVANCED ILLUMINATION INC

6" UNIT WEIGHT: 0.41 lbs

CUT USING:		UNLESS OTHERWISE SPECIFIED:	DATE	NAME	 440 STATE GARAGE ROAD, ROCHESTER, VERMONT 05767
		SURFACE SHOULD BE FREE OF SCRATCHES, BURRS, AND DENTS	26-FEB-21	Ai	
		DIMENSIONS ARE IN: INCHES	CHECKED	--	TITLE: DRAWING, INSTALLATION, LL174 (SEALED)
		<u>TOLERANCES</u>	APPROVED	--	
		FRACTIONAL: 1/16	MATERIAL		SIZE DWG. NO. REV A LL174 (SEALED) 01
NEXT ASSY	USED ON	ANGULAR: MACH ± 1 BEND ± 1 TWO PLACE DECIMAL ± .010 THREE PLACE DECIMAL ± .005	FINISH		
APPLICATION		MAKE FROM			SCALE: NTS/C CODE: - SHEET 1 OF 1