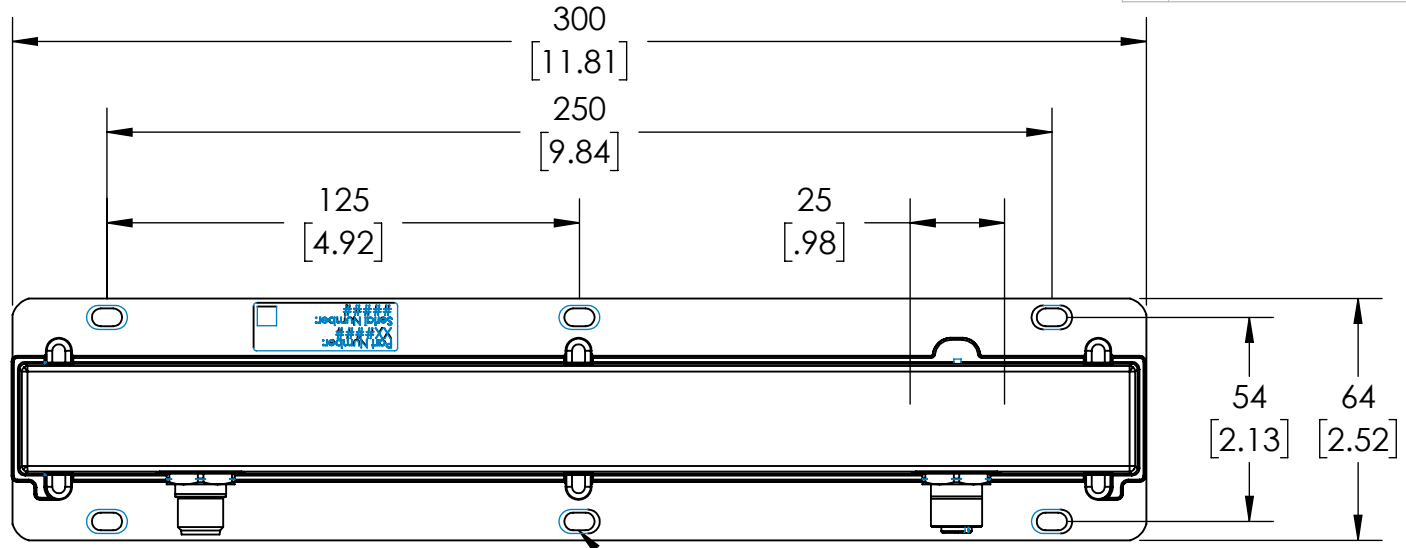
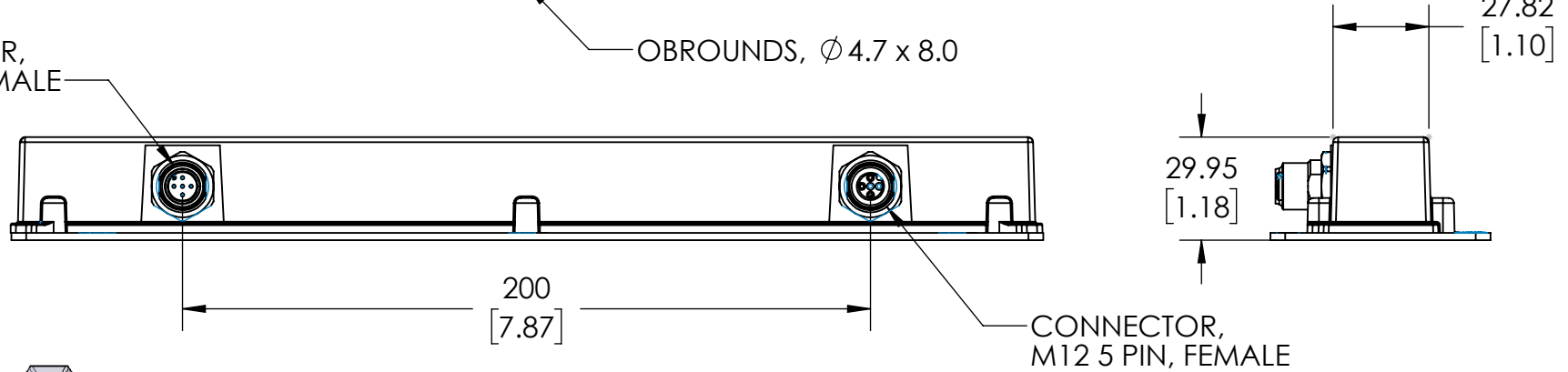


REVISIONS			
REV.	DESCRIPTION	DATE	DCN NO



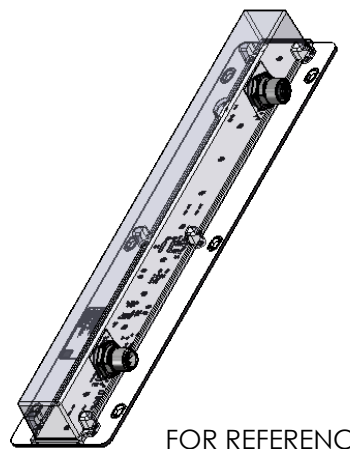
CONNECTOR,
M12 5 PIN, MALE

OBROUNDS, ϕ 4.7 x 8.0



CONNECTOR,
M12 5 PIN, FEMALE

UNIT WEIGHT: 0.54 POUNDS



FOR REFERENCE ONLY

PROPRIETARY AND CONFIDENTIAL
THESE DRAWINGS AND SPECIFICATIONS ARE THE EXCLUSIVE PROPERTIES OF ADVANCED ILLUMINATION INCORPORATED ISSUED IN STRICT CONFIDENCE AND SHALL NOT, WITHOUT THE PRIOR WRITTEN PERMISSION OF ADVANCED ILLUMINATION INC BE REPRODUCED, COPIED OR USED FOR ANY PURPOSE WHATSOEVER EXCEPT FOR THE MANUFACTURE OF ARTICLES FOR ADVANCED ILLUMINATION INC

CUT USING: -		UNLESS OTHERWISE SPECIFIED: SURFACE SHOULD BE FREE OF SCRATCHES, BURRS, AND DENTS DIMENSIONS ARE IN: INCHES <u>TOLERANCES</u> FRACTIONAL \pm 1/16 ANGULAR: MACH \pm 1 BEND \pm 1 TWO PLACE DECIMAL \pm .010 THREE PLACE DECIMAL \pm .005 MAKE FROM	DATE	NAME
			-	-
			--	--
			--	--
NEXT ASSY	USED ON	FINISH		
APPLICATION				

DRAWN	-	-
CHECKED	--	--
APPROVED	--	--
MATERIAL	-	
FINISH	-	

ADVANCED ILLUMINATION
440 STATE GARAGE ROAD, ROCHESTER, VERMONT 05767

TITLE:
DRAWING, INSTALLATION,
AL-S025300X-XXX

SIZE	DWG. NO.	REV
A	AL-S025300X-XXX	-

SCALE: NTS C CODE: - SHEET 1 OF 1