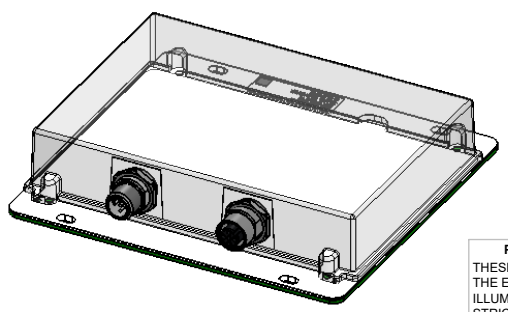
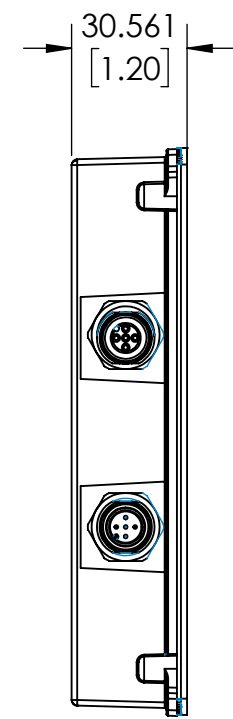
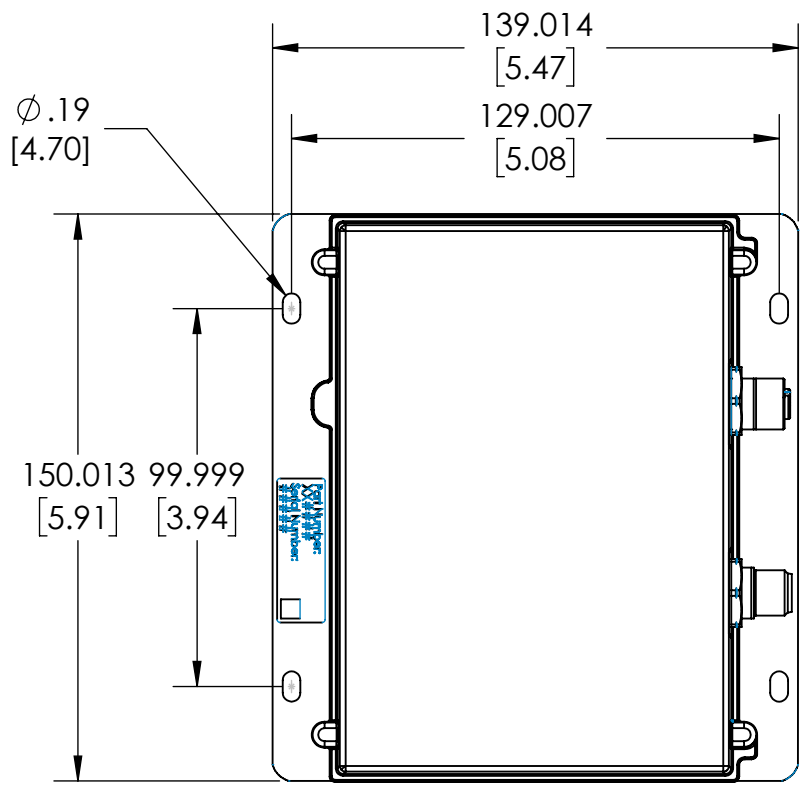


REVISIONS			
REV.	DESCRIPTION	DATE	DCN NO



FOR REFERENCE ONLY

PROPRIETARY AND CONFIDENTIAL
 THESE DRAWINGS AND SPECIFICATIONS ARE THE EXCLUSIVE PROPERTIES OF ADVANCED ILLUMINATION INCORPORATED ISSUED IN STRICT CONFIDENCE AND SHALL NOT, WITHOUT THE PRIOR WRITTEN PERMISSION OF ADVANCED ILLUMINATION INC BE REPRODUCED, COPIED OR USED FOR ANY PURPOSE WHATSOEVER EXCEPT THE MANUFACTURE OF ARTICLES FOR ADVANCED ILLUMINATION INC

UNIT WEIGHT: .560 lbs

CUT USING: -		UNLESS OTHERWISE SPECIFIED: SURFACE SHOULD BE FREE OF SCRATCHES, BURRS, AND DENTS DIMENSIONS ARE IN: INCHES <u>TOLERANCES</u> FRACTIONAL ± 1/16 ANGULAR: MACH ± 1 BEND ± 1 TWO PLACE DECIMAL ± .010 THREE PLACE DECIMAL ± .005 MAKE FROM -	DATE	NAME	ADVANCED ILLUMINATION 440 STATE GARAGE ROAD, ROCHESTER, VERMONT 05767 TITLE: DRAWING, INSTALLATION, BL-S100150 SIZE DWG. NO. REV A BL-S100150 - SCALE: NTS C CODE: -- SHEET 1 OF 1
			-	-	
			--	--	
			--	--	
			-	-	
NEXT ASSY	USED ON	FINISH			
APPLICATION					