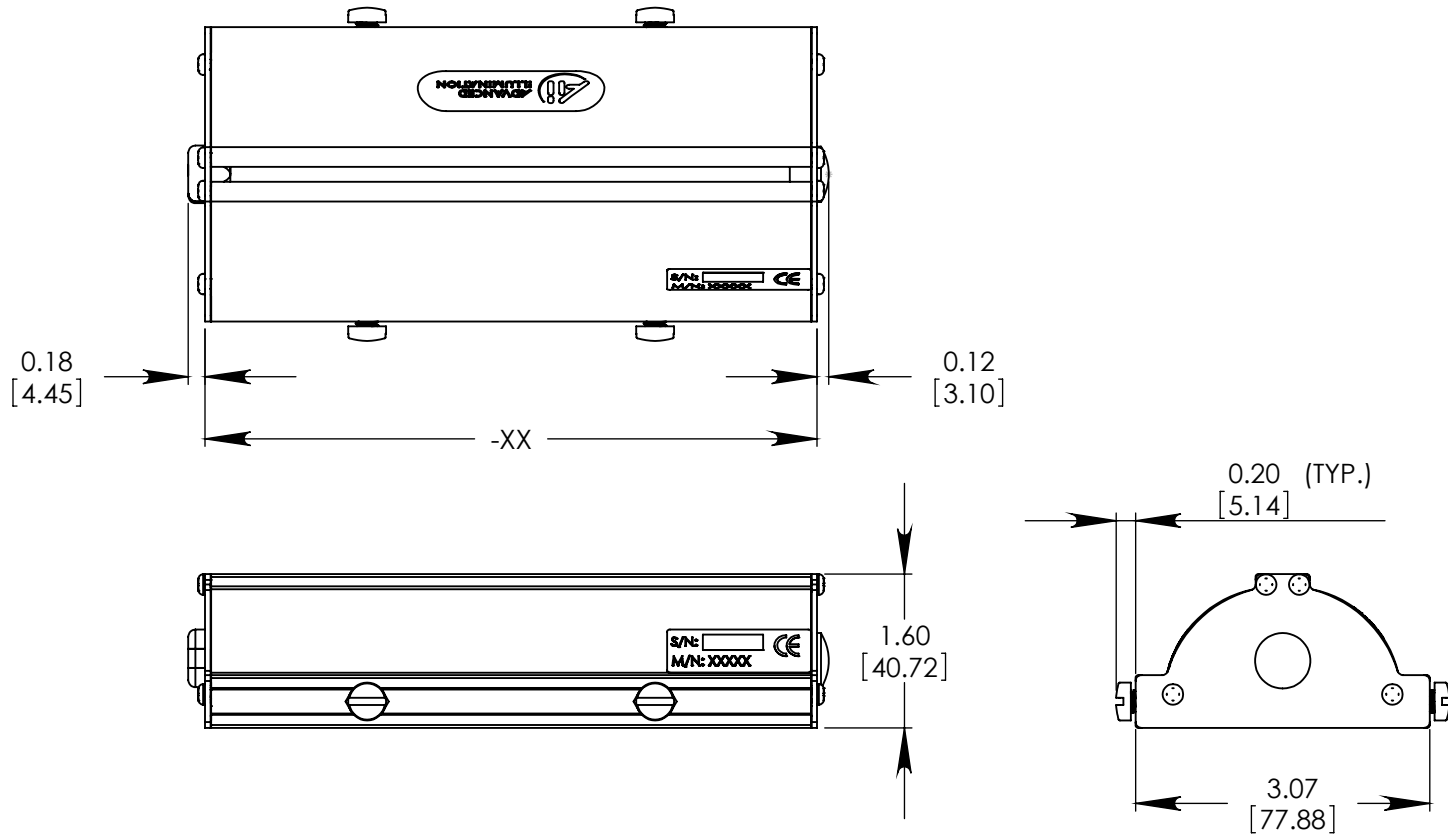


TABULATION TABLE

NUMBER	LENGTH(XX)	DESCRIPTION
EL15102	2.37" [60.20]	
EL15104	4.37" [111]	
EL15106	6.37" [161.80]	
EL15108	8.37" [212.60]	
EL15110	10.37 [263.40]	
EL15112	12.37 [314.20]	STANDARD
ETC		

REVISIONS			
REV.	DESCRIPTION	DATE	DCN NO



PROPRIETARY AND CONFIDENTIAL
 THESE DRAWINGS AND SPECIFICATIONS ARE THE EXCLUSIVE PROPERTIES OF ADVANCED ILLUMINATION INCORPORATED ISSUED IN STRICT CONFIDENCE AND SHALL NOT, WITHOUT THE PRIOR WRITTEN PERMISSION OF ADVANCED ILLUMINATION INC BE REPRODUCED, COPIED OR USED FOR ANY PURPOSE WHATSOEVER EXCEPT THE MANUFACTURE OF ARTICLES FOR ADVANCED ILLUMINATION INC

		UNLESS OTHERWISE SPECIFIED:	DATE	NAME	ADVANCED ILLUMINATION 24 PEAVINE DRIVE, ROCHESTER, VERMONT 05767
		SURFACE SHOULD BE FREE OF SCRATCHES, BURRS, AND DENTS	-	-	
		DIMENSIONS ARE IN: INCHES	--	--	
		TOLERANCES	APPROVED	--	
		FRACTIONAL ± 1/16	MATERIAL		
		ANGULAR: MACH ± 1 BEND ± 1			SIZE DWG. NO.
		TWO PLACE DECIMAL ± .010	FINISH		-
		THREE PLACE DECIMAL ± .005			REV 01
NEXT ASSY	USED ON	MAKE FROM			SCALE: NTS/C CODE: -
	APPLICATION				SHEET 1 OF 1