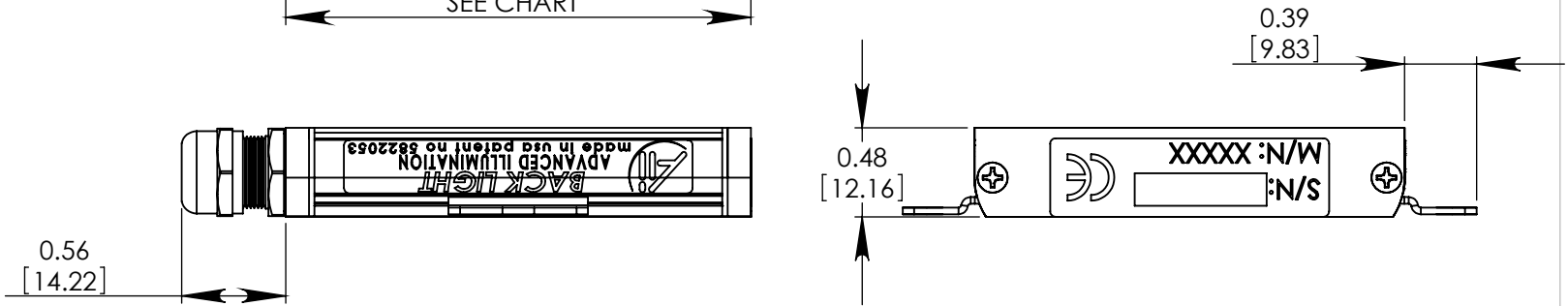
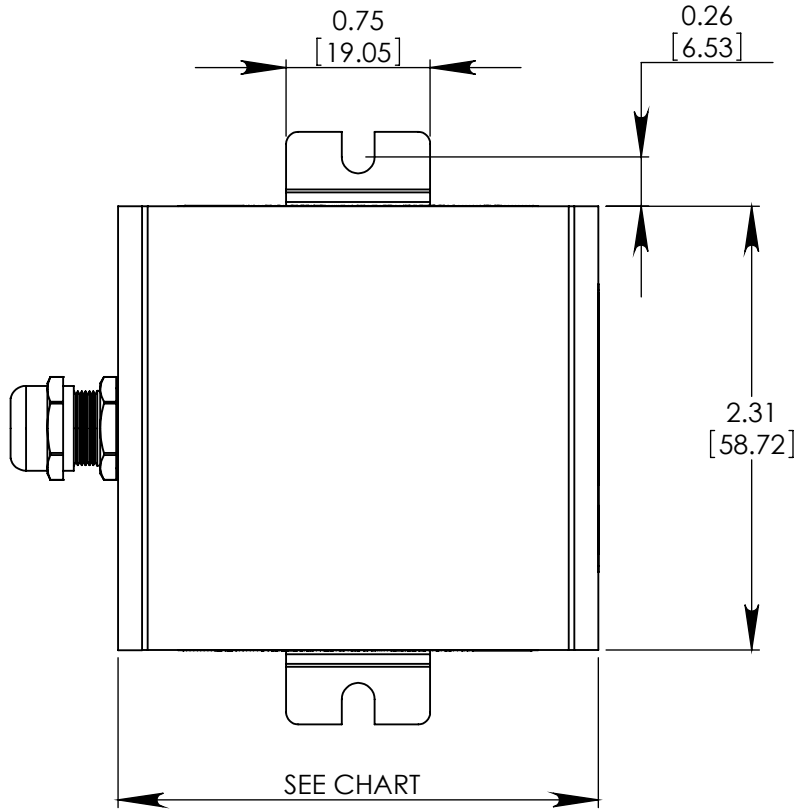


EL128 SEALED	
PART NUMBER	LENGTH (INCHES)
EL12801	1.50 [38.1]
EL12802	2.50 [63.5]
EL12803	3.50 [88.9]
EL12804	4.50 [114.3]
EL12805	5.50 [139.7]
EL12806	6.50 [165.1]
EL12807	7.50 [190.5]
EL12808	8.50 [215.9]
UP TO EL12895	95.50 [2425.7]



REVISIONS			
REV.	DESCRIPTION	DATE	DCN NO

PROPRIETARY AND CONFIDENTIAL
 THESE DRAWINGS AND SPECIFICATIONS ARE THE EXCLUSIVE PROPERTIES OF ADVANCED ILLUMINATION INCORPORATED ISSUED IN STRICT CONFIDENCE AND SHALL NOT, WITHOUT THE PRIOR WRITTEN PERMISSION OF ADVANCED ILLUMINATION INC BE REPRODUCED, COPIED OR USED FOR ANY PURPOSE WHATSOEVER EXCEPT THE MANUFACTURE OF ARTICLES FOR ADVANCED ILLUMINATION INC

UNLESS OTHERWISE SPECIFIED:		DATE	NAME
SURFACE SHOULD BE FREE OF SCRATCHES, BURRS, AND DENTS	DRAWN	-	-
DIMENSIONS ARE IN: INCHES	CHECKED	--	--
<u>TOLERANCES</u>	APPROVED	--	--
FRACTIONAL: ± 1/16	MATERIAL	-	-
ANGULAR: MACH ± 1 BEND ± 1	FINISH	-	-
TWO PLACE DECIMAL ± .010			
THREE PLACE DECIMAL ± .005			
MAKE FROM			

ADVANCED ILLUMINATION 24 PEAVINE DRIVE, ROCHESTER, VERMONT 05767		
TITLE: DRAWING, INSTALLATION, SEALED EL128		
SIZE	DWG. NO.	REV
A	-	-
SCALE: NTS C CODE: -		SHEET 1 OF 1