

Product Highlights



General Specifications

SKUs

LB101, LB102, LB103, LB104, LB105, LB106, LB107, LB108, LB109, LB110

Part Number Key

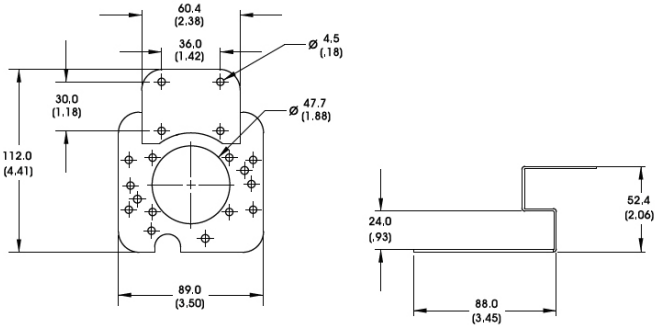
Model	Extension
LB	XXX
LB	101
	102
	103
	104
	105
	106
	107
	108
	109
	110

Stock Product: *shipped next day*

- | | | |
|-------|-------|-------|
| LB101 | LB105 | LB109 |
| LB102 | LB106 | LB110 |
| LB103 | LB107 | |
| LB104 | LB108 | |

Mechanical Specs

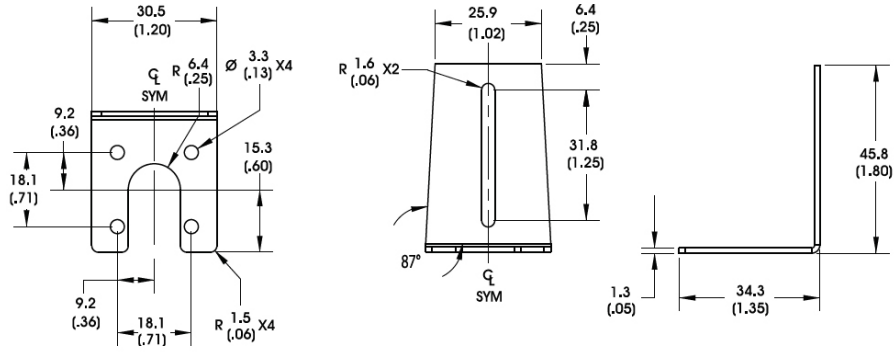
LB101



FOR USE WITH:
Cognex Series 5000 &
Matrox Cameras

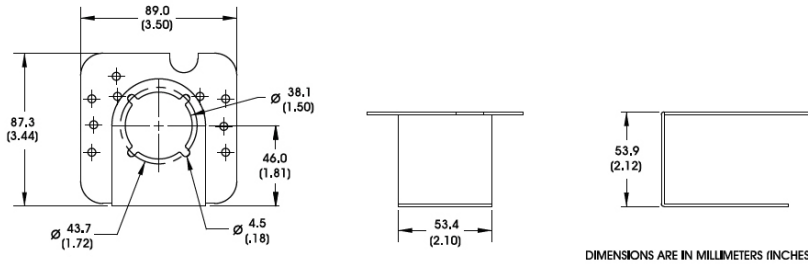
Ai Lights:
DL2230, DL194, RL121, RL1424, RL4260, RL36120,
RL5064, RL3536, RL3940

LB102



FOR USE WITH:
SL073

LB103

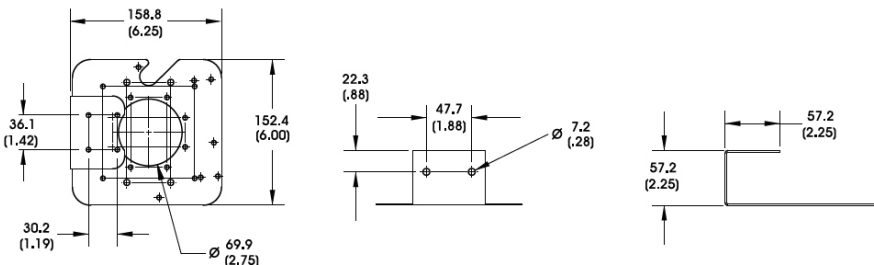


FOR USE WITH:
NI Cameras

Ai Lights:
DL2230, DL194, RL127
RL1424, RL4260, RL36120, RL5064,
RL3536, RL3940

DIMENSIONS ARE IN MILLIMETERS (INCHES)

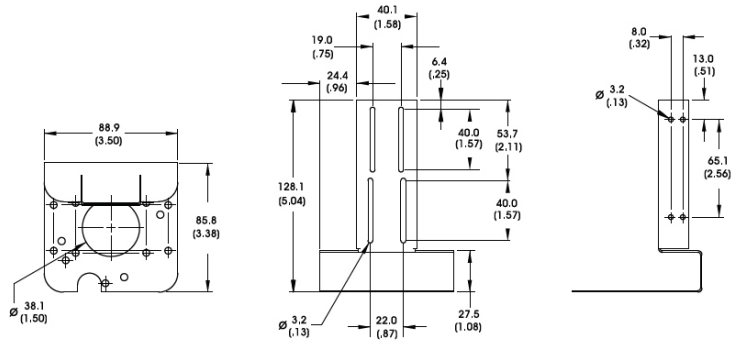
LB104



FOR USE WITH:
Cognex Series 5000
& Matrox Cameras

Ai Lights:
DL194, DL097, RL113, RL4260,
RL36120, RL5064, RL1360,
RL1660, RL3536, RL169, RL3940

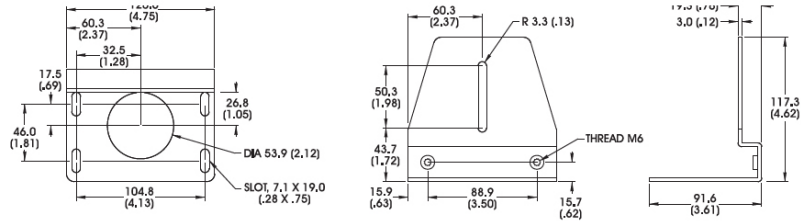
LB105



FOR USE WITH:
Cognex Micro Cameras

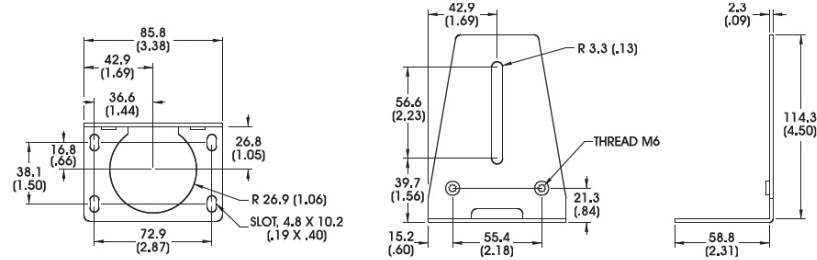
Ai Lights:
DL2230, DL194, RL1424, RL4260,
RL36120, RL5064, RL3536, RL3940

LB106



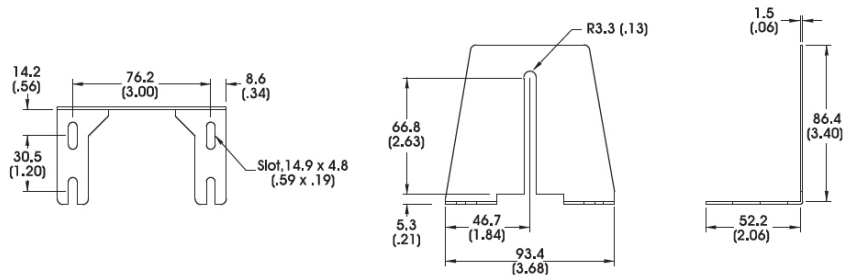
FOR USE WITH:
DL097

LB107



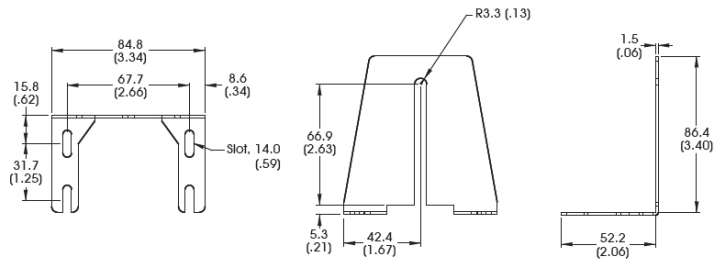
FOR USE WITH:
DL194

LB108



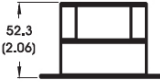
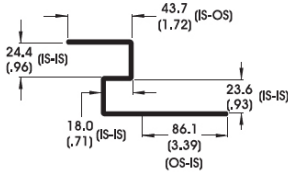
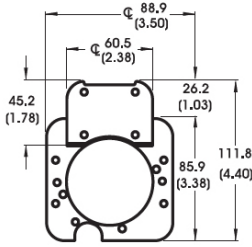
FOR USE WITH:
RL4260, RL36120, RL3536,
RL5064, RL3940

LB109



FOR USE WITH:
RL1424

LB110



FOR USE WITH:
 NI 177X Series
 DL2230, DL194, RL1424, RL4260,
 RL36120, RL36120, RL5064, RL3536,
 RL3940

Compatibility Matrix

	LB101	LB102	LB103	LB104	LB105	LB106	LB107	LB108	LB109	LB110
DL2230	✓		✓		✓					✓
DL194	✓		✓	✓	✓		✓			✓
DL097				✓		✓				
RL121	✓									
RL127			✓							
RL1424	✓		✓		✓				✓	✓
RL4260	✓		✓	✓	✓			✓		✓
RL36120	✓		✓	✓	✓			✓		✓
RL5064	✓		✓	✓	✓			✓		✓
RL3536	✓		✓	✓	✓			✓		✓
RL113				✓						
RL169				✓						
RL1360				✓						
RL1660				✓						
RL3940	✓		✓	✓	✓			✓		✓
SL073		✓								
SL162		✓								
SL164		✓								

- ✓ Bracket is compatible with light
- ✓ Bracket is included with light

Warranty Information

Every Advanced illumination, Inc. (Ai) product is thoroughly inspected and tested before leaving the factory. Products are warranted to be free of defects in workmanship and materials for a period of FIVE YEARS from the original date of purchase. Should a defect develop during this period, customers may return the complete product, freight prepaid, to one of Ai's distributors or to the Ai factory. All product warranty returns require a Return Merchandise Authorization (RMA) number which is obtained from Customer Service. The RMA number must be clearly marked on the outside of the package. Ai will inspect the unit, and if a defect is found will, at our option, repair or replace the product without charge. Ai disclaims liability for any implied warranties, including implied warranties of "merchantability" and "fitness for a specific purpose." For products under warranty that have since been discontinued, Ai will make an effort to replace with equivalent parts; for circumstances that do not allow for equivalent replacement, Ai reserves the right to repair or replace these products with an updated version. Ai cannot be held responsible for the unauthorized or inappropriate use of its products. Any unauthorized repair or modifications will result in a voided warranty.

No Liability for Consequential Damages: In no event shall Ai be liable for any consequential, special, incidental, or indirect damages of any kind arising from the sale or use of the products.

Electromagnetic Compatibility

This product was tested and complies with the regulatory requirements and limits for electromagnetic compatibility (EMC) as stated in the product specifications. These requirements and limits are designed to provide reasonable protection against harmful interference only when the product is operated in its intended industrial electromagnetic environment. To minimize the potential for electromagnetic interference or unacceptable performance degradation, install and use this product in strict accordance with the instructions in the product documentation.

Customer Service

For information on existing orders, or to make an order adjustment, contact us Monday through Friday 8:00 am to 5:00 pm ET or send an email to orders@advancedillumination.com.

Company Information

Advanced Illumination

440 State Garage Road, Rochester, VT 05767

Phone: 802.767.3830

Fax: 802.767.2636

Email: info@advancedillumination.com

Web: advancedillumination.com

© 2021 Advanced illumination Inc. All rights reserved