

Product Highlights

- 0 - 100% intensity control
- For use with lights built with an ICS 2 after 3/1/2012
- NOT COMPATIBLE with LLI37, BLI38, LLI67, and BLI68 "IC" Lights



General Specifications

Length	89.0mm (3.50in)
Width	60.2mm (2.37in)
Height	53.8mm (2.12in)
Weight	59.5g
Operating Temperature	-25°C to 57°C
Compliance	CE, RoHS

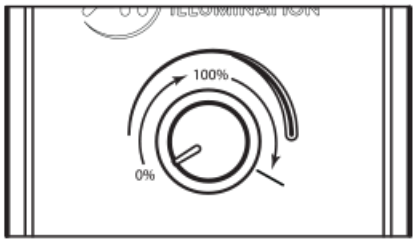
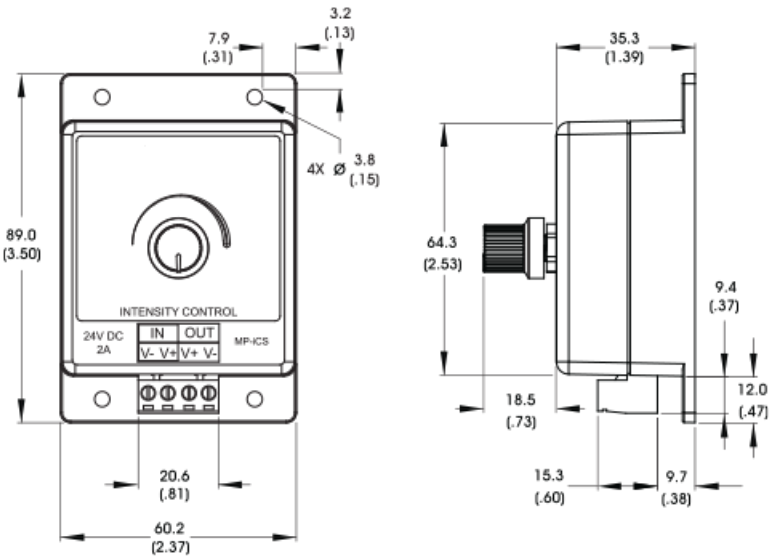
Part Number Key

Model	—	Controller
MP	—	XXX
MP	—	ICS



Stock Product: *shipped next day*
MP-ICS

Mechanical Specs



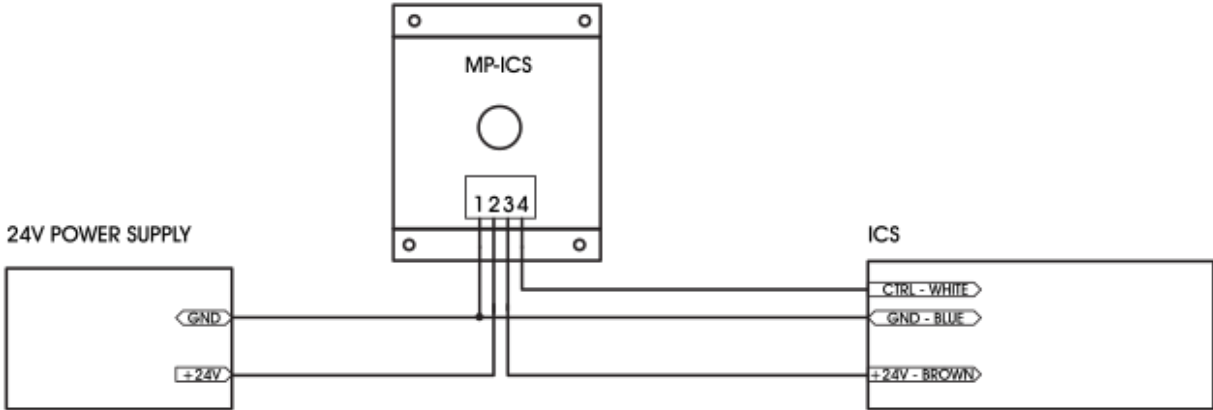
Intensity Control Range

Note: The MP-ICS will not work with a light ordered with the 24v configuration.

Lights must be ordered with the ICS 2 power option.

Electrical Specs

MP-ICS Manual Dimming Control Wiring Diagram for ICS 2
All connections are made at the input



Change Notice

PCN No: 160

Date Issued: 6/28/21

Notice Type: Product Change

Product Type: MP-ICS

Change Notification Summary

In an effort to improve our products, Advanced illumination (Ai) will be updating the potentiometers used in the MP-ICS dimmers. This update will allow for greater precision in adjustment by moving from 1M to 100K pots. This change is projected to go into effect in Q1 of 2022 as inventory is restocked.

Please contact your Ai Sales Representative if you have any questions.

PCN 160 MP-ICS Potentiometer Change

Warranty Information

Every Advanced illumination, Inc. (Ai) product is thoroughly inspected and tested before leaving the factory. Products are warranted to be free of defects in workmanship and materials for a period of FIVE YEARS from the original date of purchase. Should a defect develop during this period, customers may return the complete product, freight prepaid, to one of Ai's distributors or to the Ai factory. All product warranty returns require a Return Merchandise Authorization (RMA) number which is obtained from Customer Service. The RMA number must be clearly marked on the outside of the package. Ai will inspect the unit, and if a defect is found will, at our option, repair or replace the product without charge. Ai disclaims liability for any implied warranties, including implied warranties of "merchantability" and "fitness for a specific purpose." For products under warranty that have since been discontinued, Ai will make an effort to replace with equivalent parts; for circumstances that do not allow for equivalent replacement, Ai reserves the right to repair or replace these products with an updated version. Ai cannot be held responsible for the unauthorized or inappropriate use of its products. Any unauthorized repair or modifications will result in a voided warranty.

No Liability for Consequential Damages: In no event shall Ai be liable for any consequential, special, incidental, or indirect damages of any kind arising from the sale or use of the products.

Electromagnetic Compatibility

This product was tested and complies with the regulatory requirements and limits for electromagnetic compatibility (EMC) as stated in the product specifications. These requirements and limits are designed to provide reasonable protection against harmful interference only when the product is operated in its intended industrial electromagnetic environment. To minimize the potential for electromagnetic interference or unacceptable performance degradation, install and use this product in strict accordance with the instructions in the product documentation.

Customer Service

For information on existing orders, or to make an order adjustment, contact us Monday through Friday 8:00 am to 5:00 pm ET or send an email to orders@advancedillumination.com.

Company Information

Advanced Illumination

440 State Garage Road, Rochester, VT 05767

Phone: 802.767.3830

Fax: 802.767.2636

Email: info@advancedillumination.com

Web: advancedillumination.com

© 2021 Advanced illumination Inc. All rights reserved