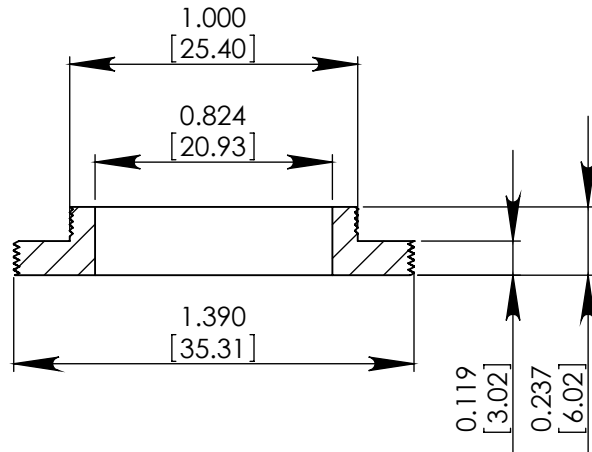
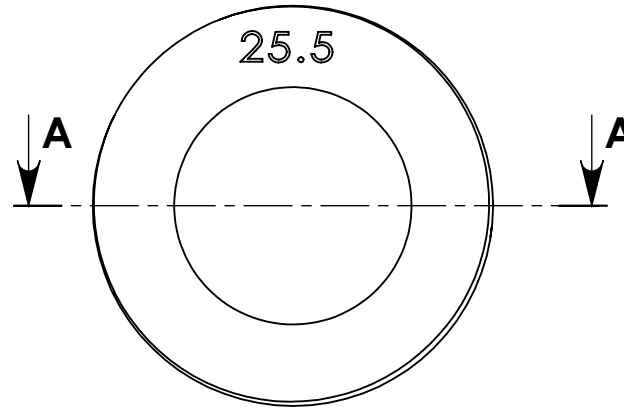


REVISIONS			
REV.	DESCRIPTION	DATE	DCN NO

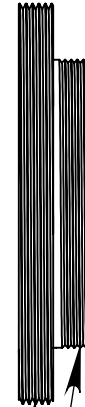


**SECTION A-A**



35.5MM X .05MM THREADING

25.5MM X .05MM THREADING



**PROPRIETARY AND CONFIDENTIAL**  
THESE DRAWINGS AND SPECIFICATIONS ARE THE EXCLUSIVE PROPERTIES OF ADVANCED ILLUMINATION INCORPORATED ISSUED IN STRICT CONFIDENCE AND SHALL NOT, WITHOUT THE PRIOR WRITTEN PERMISSION OF ADVANCED ILLUMINATION INC BE REPRODUCED, COPIED OR USED FOR ANY PURPOSE WHATSOEVER EXCEPT THE MANUFACTURE OF ARTICLES FOR ADVANCED ILLUMINATION INC

		UNLESS OTHERWISE SPECIFIED:	DATE	NAME
		SURFACE SHOULD BE FREE OF SCRATCHES, BURRS, AND DENTS	-	-
		DIMENSIONS ARE IN: INCHES	--	--
		<u>TOLERANCES</u>	--	--
		FRACTIONAL ± 1/16		
		ANGULAR: MACH ± 1 BEND ± 1		
		TWO PLACE DECIMAL ± .010		
		THREE PLACE DECIMAL ± .005		
NEXT ASSY	USED ON	MAKE FROM		
	APPLICATION			

**ADVANCED ILLUMINATION**

24 PEAVINE DRIVE, ROCHESTER, VERMONT 05767

TITLE:  
Drawing Installation TA25.5mm-35.5mm  
Adaptor Ring RL121

SIZE DWG. NO. REV  
**A** - -

SCALE: NTS C CODE: - SHEET 1 OF 1