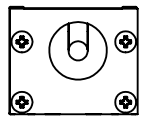
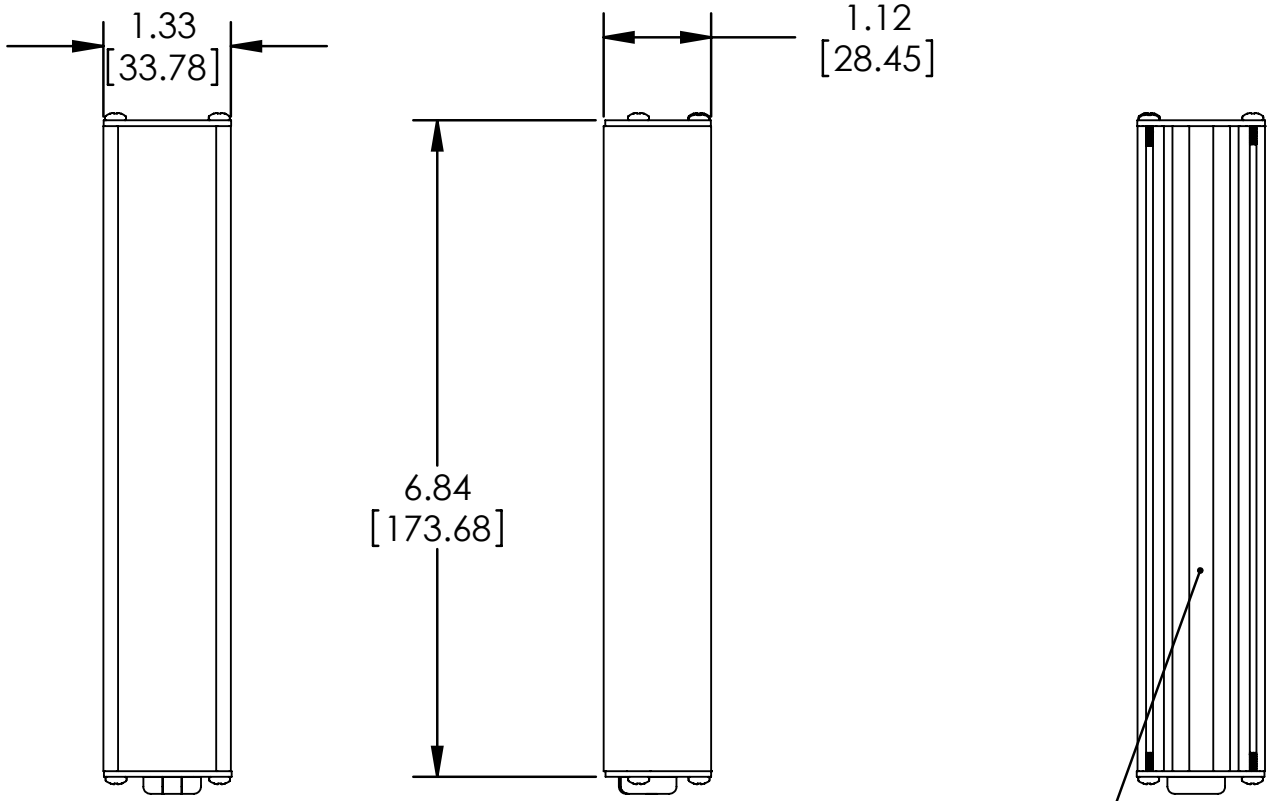


REVISIONS			
REV.	DESCRIPTION	DATE	DCN NO



PROPRIETARY AND CONFIDENTIAL
 THESE DRAWINGS AND SPECIFICATIONS ARE THE EXCLUSIVE PROPERTIES OF ADVANCED ILLUMINATION INCORPORATED ISSUED IN STRICT CONFIDENCE AND SHALL NOT, WITHOUT THE PRIOR WRITTEN PERMISSION OF ADVANCED ILLUMINATION INC BE REPRODUCED, COPIED OR USED FOR ANY PURPOSE WHATSOEVER EXCEPT THE MANUFACTURE OF ARTICLES FOR ADVANCED ILLUMINATION INC

		UNLESS OTHERWISE SPECIFIED:	DATE	NAME
		SURFACE SHOULD BE FREE OF SCRATCHES, BURRS, AND DENTS	11/20/08	--
		DIMENSIONS ARE IN: INCHES		
		<u>TOLERANCES</u>		
		FRACTIONAL ± 1/16		
		ANGULAR: MACH ± 1 BEND ± 1		
		TWO PLACE DECIMAL ± .010		
		THREE PLACE DECIMAL ± .005		
		MAKE FROM		
NEXT ASSY	USED ON			
APPLICATION				

ADVANCED ILLUMINATION			
24 PEAVINE DRIVE, ROCHESTER, VERMONT 05767			
TITLE: DWG, INST, LL5806			
SIZE	DWG. NO.	REV	
A	--	--	
SCALE: 1:2	C CODE:	SHEET 1 OF 1	