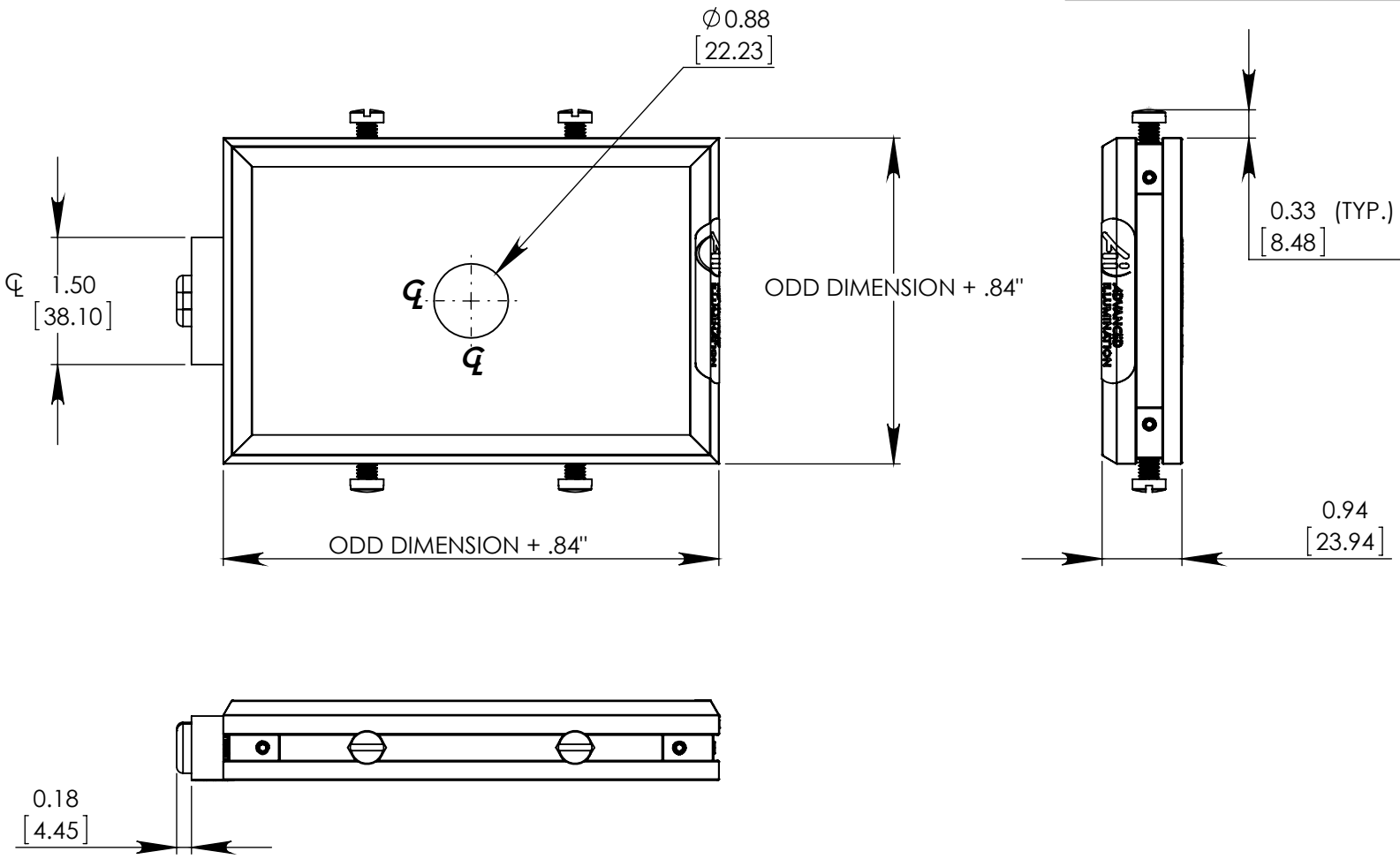


REVISIONS			
REV.	DESCRIPTION	DATE	DCN NO



**PROPRIETARY AND CONFIDENTIAL**  
 THESE DRAWINGS AND SPECIFICATIONS ARE THE EXCLUSIVE PROPERTIES OF ADVANCED ILLUMINATION INCORPORATED ISSUED IN STRICT CONFIDENCE AND SHALL NOT, WITHOUT THE PRIOR WRITTEN PERMISSION OF ADVANCED ILLUMINATION INC BE REPRODUCED, COPIED OR USED FOR ANY PURPOSE WHATSOEVER EXCEPT THE MANUFACTURE OF ARTICLES FOR ADVANCED ILLUMINATION INC

		UNLESS OTHERWISE SPECIFIED: SURFACE SHOULD BE FREE OF SCRATCHES, BURRS, AND DENTS	DATE	NAME
		DIMENSIONS ARE IN: INCHES	DRAWN	-
		TOLERANCES	CHECKED	--
		FRACTIONAL $\pm 1/16$	APPROVED	--
		ANGULAR: MACH $\pm 1$ BEND $\pm 1$	MATERIAL	-
		TWO PLACE DECIMAL $\pm .010$	FINISH	-
		THREE PLACE DECIMAL $\pm .005$		
NEXT ASSY	USED ON	MAKE FROM		
APPLICATION				

**ADVANCED ILLUMINATION**  
 24 PEAVINE DRIVE, ROCHESTER, VERMONT 05767

TITLE:  
 DRAWING, INSTALLATION,  
 ODD LENGTH, FCXXYY

SIZE DWG. NO. REV  
**A** - -

SCALE: NTS/C CODE: - SHEET 1 OF 1