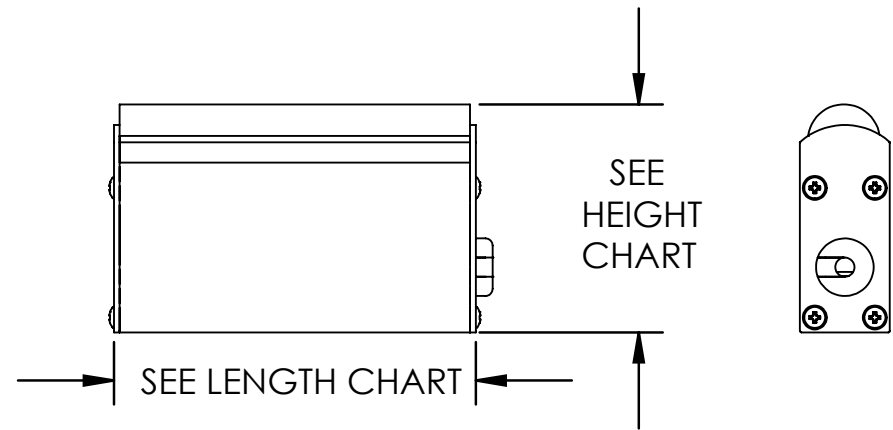


<b>EL163 LENGTH CHART SINGLE CABLE</b>	
PART NUMBER	LENGTH
EL163006	1.97[50.04]
EL163018	5.07[128.78]
EL163030	8.18[207.77]
EL163036	9.74[247.40]
EL163042	11.29[286.77]
EL163054	14.40[365.76]
EL163060	15.95[405.13]
EL163066	17.51[444.75]
EL163072	19.06[484.12]
EL163078	21.70[551.18]
EL163084	22.17[563.12]
EL163090	23.72[602.49]
EL163096	25.28[642.11]
EL163102	26.83[681.48]
EL163108	28.38[720.85]
EL163114	29.94[760.48]
EL163120	31.49[799.85]

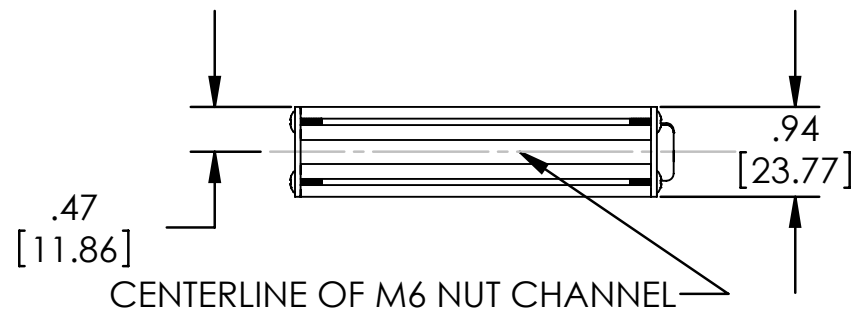
<b>EL163 LENGTH CHART DOUBLE CABLE</b>	
PART NUMBER	LENGTH
EL163126	33.05[835.47]
EL163132	34.60[878.84]
EL163138	36.15[918.21]
EL163144	37.71[957.83]
EL163150	39.26[997.20]
EL163156	40.82[1036.83]
EL163162	42.37[1076.20]
EL163168	43.92[1115.57]
EL163174	45.48[1155.20]
EL163180	47.03[1194.56]
EL163186	48.59[1234.19]
EL163192	50.14[1273.56]
EL163198	51.69[1312.93]
EL163204	53.25[1352.55]
EL163210	54.80[1391.92]
EL163216	56.36[1431.54]
EL163222	57.91[1470.91]
EL163228	59.46[1510.28]
EL163234	61.02[1549.91]
EL163240	62.57[1589.28]

REVISIONS			
REV.	DESCRIPTION	DATE	DCN NO

<b>LIGHT HEIGHT CHART</b>	
LENS	HEIGHT
A	2.38[60.5]
B	2.63[66.8]
D	2.88[73.2]
E	3.13[79.5]



NOTE: DOUBLE CABLE LIGHTS POWERED FROM BOTH ENDS



**PROPRIETARY AND CONFIDENTIAL**  
 THESE DRAWINGS AND SPECIFICATIONS ARE THE EXCLUSIVE PROPERTIES OF ADVANCED ILLUMINATION INCORPORATED ISSUED IN STRICT CONFIDENCE AND SHALL NOT, WITHOUT THE PRIOR WRITTEN PERMISSION OF ADVANCED ILLUMINATION INC BE REPRODUCED, COPIED OR USED FOR ANY PURPOSE WHATSOEVER EXCEPT THE MANUFACTURE OF ARTICLES FOR ADVANCED ILLUMINATION INC

UNLESS OTHERWISE SPECIFIED:	DATE	NAME
SURFACE SHOULD BE FREE OF SCRATCHES, BURRS, AND DENTS	--	--
DIMENSIONS ARE IN: INCHES	--	--
<u>TOLERANCES</u>	--	--
FRACTIONAL ± 1/16		
ANGULAR: MACH ± 1 BEND ± 1		
TWO PLACE DECIMAL ± .010		
THREE PLACE DECIMAL ± .005		
MAKE FROM		

DRAWN	--	--
CHECKED	--	--
APPROVED	--	--
MATERIAL		
FINISH		

<b>ADVANCED ILLUMINATION</b> 24 PEAVINE DRIVE, ROCHESTER, VERMONT 05767		
TITLE: DWG, INST, EL163		
SIZE	DWG. NO.	REV
<b>A</b>	--	--
SCALE: 1:2	C CODE:	SHEET 1 OF 1