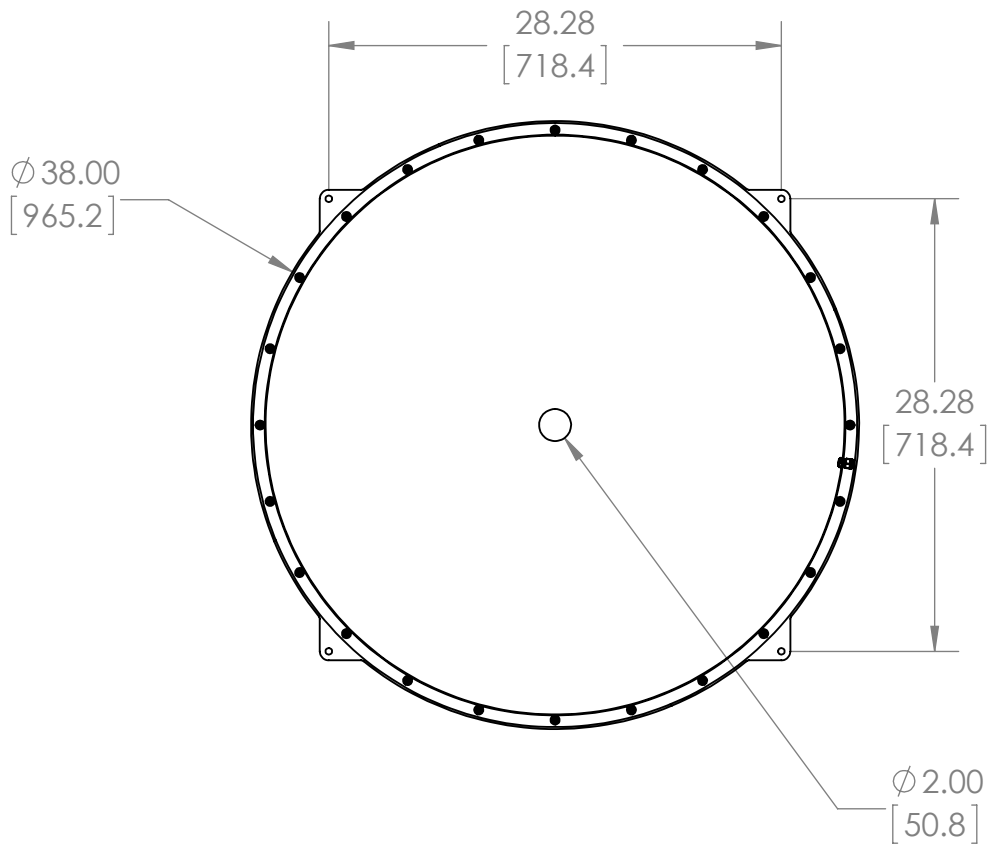


REVISIONS			
REV.	DESCRIPTION	DATE	DCN NO
-	NEW RELEASE.	XXXX	JM



PROPRIETARY AND CONFIDENTIAL
 THESE DRAWINGS AND SPECIFICATIONS ARE THE EXCLUSIVE PROPERTIES OF ADVANCED ILLUMINATION INCORPORATED ISSUED IN STRICT CONFIDENCE AND SHALL NOT, WITHOUT THE PRIOR WRITTEN PERMISSION OF ADVANCED ILLUMINATION INC BE REPRODUCED, COPIED OR USED FOR ANY PURPOSE WHATSOEVER EXCEPT THE MANUFACTURE OF ARTICLES FOR ADVANCED ILLUMINATION INC

CUT USING:	
NEXT ASSY	USED ON
APPLICATION	

UNLESS OTHERWISE SPECIFIED:
 SURFACE SHOULD BE FREE OF SCRATCHES, BURRS, AND DENTS
 DIMENSIONS ARE IN: INCHES
TOLERANCES
 FRACTIONAL ± 1/16
 ANGULAR: MACH ± 1 BEND ± 1
 TWO PLACE DECIMAL ± .010
 THREE PLACE DECIMAL ± .005
 MAKE FROM

	DATE	NAME
DRAWN	7/10/12	KRB
CHECKED	--	--
APPROVED	--	--
MATERIAL		
FINISH		

ADVANCED ILLUMINATION
 24 PEAVINE DRIVE, ROCHESTER, VERMONT 05767

TITLE: DWG, INSTL, DL117

SIZE	DWG. NO.	REV
A	091796	

SCALE: NTS C CODE: 1271 SHEET 1 OF 1